

# 3. Permanent Service

The permanent service will be installed upon the structure passing an electrical inspection. Please contact your local Planning and Zoning Office to determine the electrical inspection requirements. It is the members/contractors responsibility to install their equipment per applicable NEC standards. Harrison REMC is not responsible for damage to member property or persons due to faulty installation of member equipment.

To begin the process of seeking a permanent service, please refer to "Applying for Electric Service".

## Available Services

This section will cover 120/240V requirements for permanent service. If a higher voltage permanent service is required, please contact the systems engineer to discuss your requirements.

### 3.1 Permanent Overhead Service

Refer to Fig 3.1 for Permanent Single Story Overhead Service Requirements. Refer to Fig 3.2 for Multi Story Overhead Service. It is the member/contractor's responsibility to install their equipment per applicable NEC standards. **All permanent meter bases are to be provided with bypass capability. This is in effort to reduce member power outage in the event a member meter base requires maintenance or replacement.**

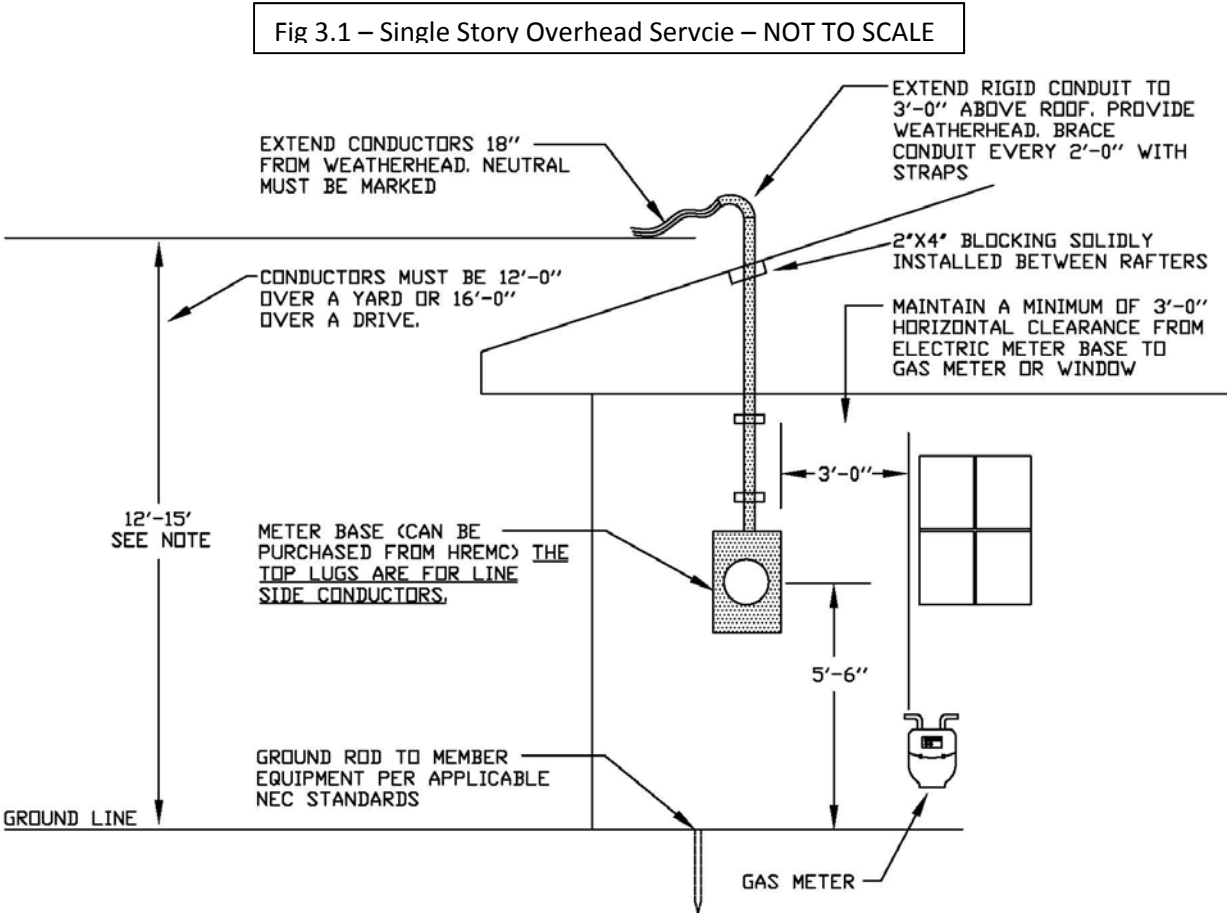
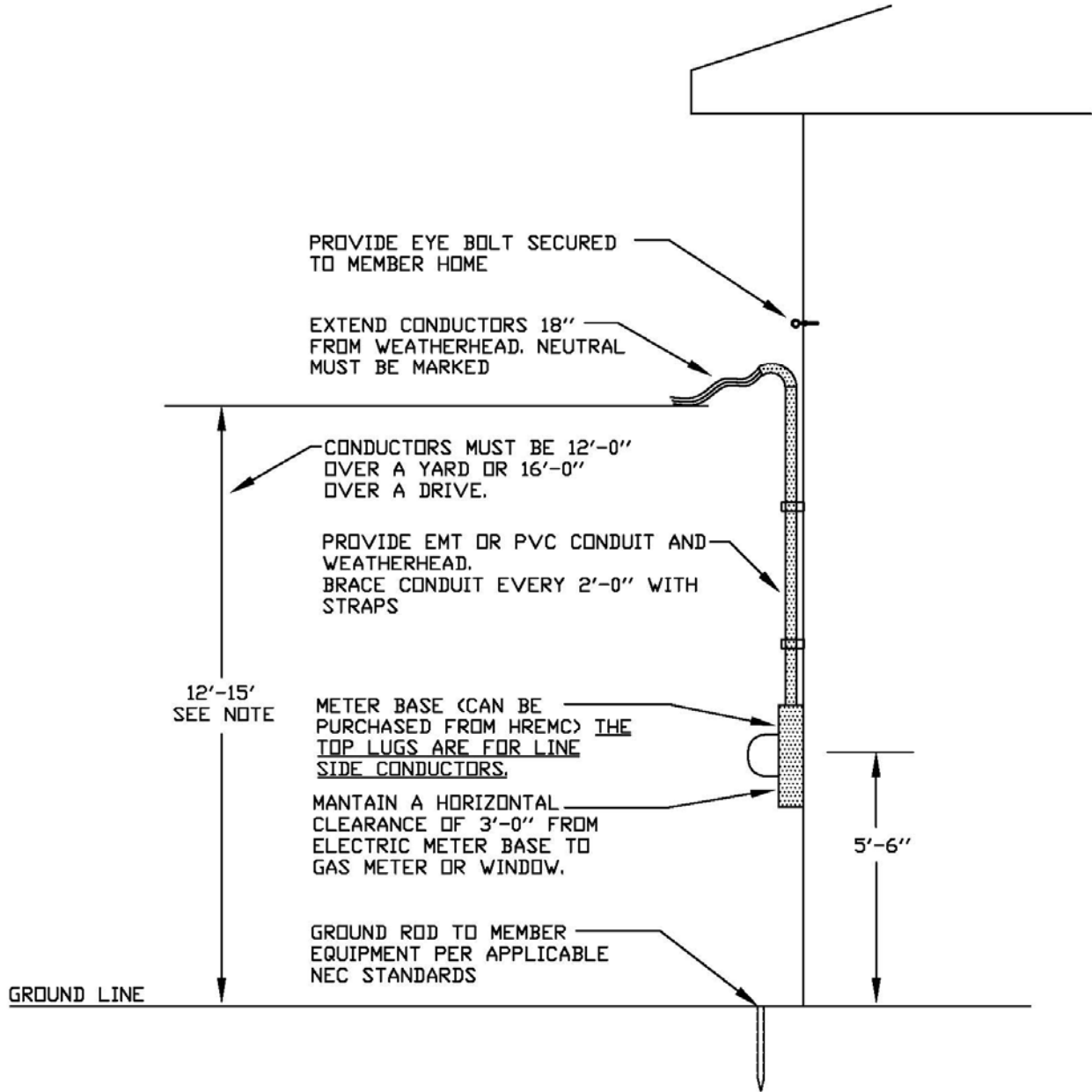


Fig 3.2 – Multi Story Overhead Service - NOT TO SCALE



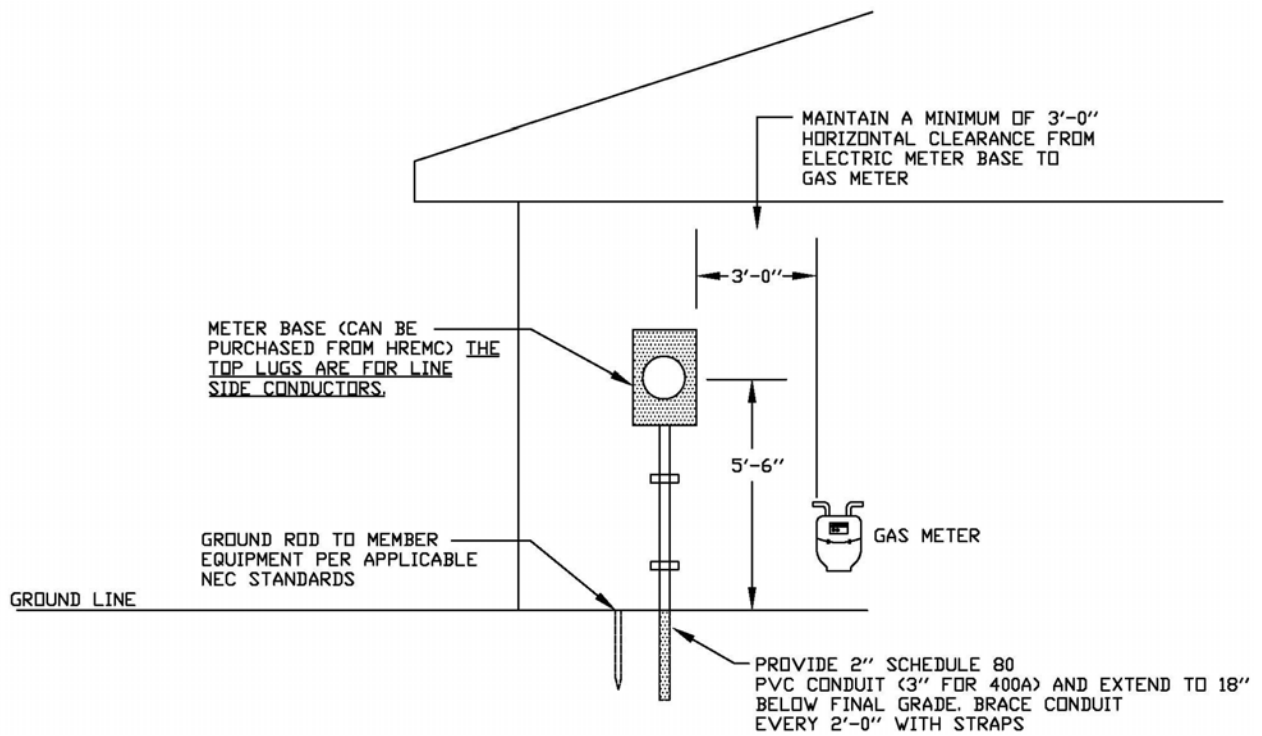
### Overhead Meter Pole

Overhead meter poles are no longer allowed to be constructed. If a meter base cannot be installed on the structure, a permanent underground meter pedestal can be utilized. Please see Permanent Underground Meter Pedestal in this section for further requirements.

### **3.2 Permanent Underground Service**

Refer to Fig 3.2 for Permanent Underground Service requirements. It is the member/contractor's responsibility to install their equipment per applicable NEC standards. **All permanent meter bases are to be provided with bypass capability. This is in effort to reduce member power outage in the event a member meter base requires maintenance or replacement.**

Fig 3.2 – Permanent Underground Service - NOT TO SCALE



### Permanent URD Meter Pedestal

If mounting a meter base on a structure (i.e. house, garage, etc) is not feasible or desired (i.e. camp, mobile home, etc), a permanent underground meter base can be installed. These can be purchased as a pre-constructed device from REMC or your local electrical supply house. Please see the "Harrison REMC Member Cost/Fees" section for pricing. As an alternative, the member can construct a permanent meter pedestal. See Fig 3.4 for strict requirements of this construction. The meter pedestal requires a minimum of 3'-0" of working clearance all around meter pedestal. **All permanent meter bases are to be provided with bypass capability. This is in effort to reduce member power outage in the event a member meter base requires maintenance or replacement.**

Fig 3.4 – Permanent Underground Meter Pedestal - NOT TO SCALE

